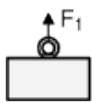
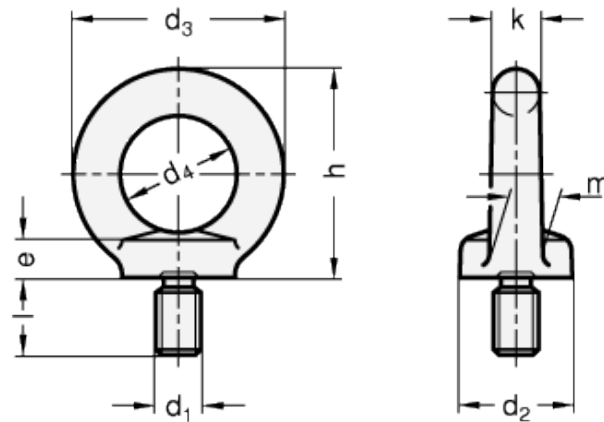
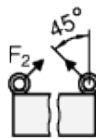


# DIN 580-NI

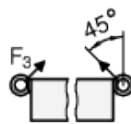
Lifting eye bolts



Axial load-bearing capacity per eye bolt



Load-bearing capacity at max. 45° per eye bolt



Lateral load-bearing capacity at max. 45° per eye bolt



Do not use under shear tension



## technical informations

### Material

- Version NI: Drop-forged Stainless Steel A2, machined contact face.
- Version A4: Drop-forged Stainless Steel A4, machined contact face.

### Features and applications

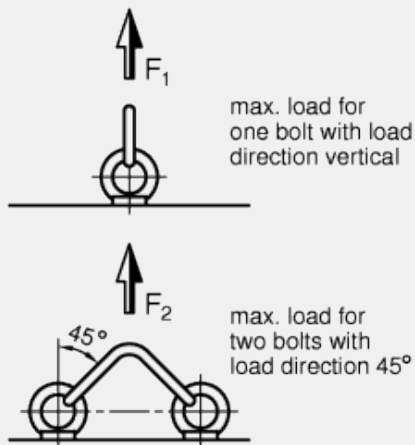
These lifting eye bolts correspond to standard sheet DIN 580.

The following guidelines of lifting eye bolts DIN 580 the have to be observed in addition to the load values given in the above table.

The eye bolt must be of fully screwd in to achieve a perfect contact between the two mating faces.

Both threads must be of a equal length and the base material of equal strength to that of the bolt.

For more guidelines, see the enclosed operating instruction.



Standard Elements	Main dimensions							Threaded stud		F <sub>1</sub> max. in N	F <sub>2</sub> max. in N	F <sub>3</sub> max. in N	Weight
	d <sub>2</sub>	d <sub>3</sub>	d <sub>4</sub>	e	h	k	m	d <sub>1</sub>	l				g
DIN 580-M8-NI	20	36	20	6	36	8	10	M8	13	1400	1000	700	55
DIN 580-M10-NI	25	45	25	8	45	10	12	M10	17	2300	1700	1150	110
DIN 580-M12-NI	30	54	30	10	53	12	14	M12	20.5	3400	2400	1700	160
DIN 580-M16-NI	35	63	35	12	62	14	16	M16	27	7000	5000	3500	280
DIN 580-M20-NI	40	72	40	14	71	16	19	M20	30	12000	8600	6000	440
DIN 580-M24-NI	50	90	50	18	90	230	24	M24	36	18000	12900	9000	840
DIN 580-M10-A4	17	25	45	25	8	45	10	M10	12	2300	1700	1150	102
DIN 580-M12-A4	20.5	30	54	30	10	53	12	M12	14	3400	2400	1700	172
DIN 580-M16-A4	27	35	63	35	12	62	14	M16	16	7000	5000	3500	312
DIN 580-M20-A4	30	40	72	40	14	71	16	M20	19	12000	8600	6000	439
DIN 580-M24-A4	36	50	90	50	18	90	20	M24	24	18000	12900	9000	918



STANDARD MACHINE ELEMENTS WORLDWIDE